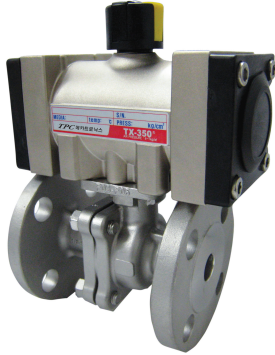


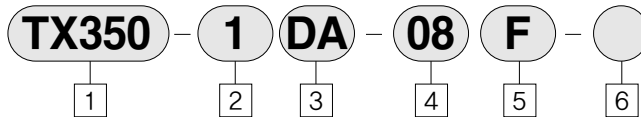
TX350-Flange Series

Double Acting 2-WAY BALL VALVE



- ISO standard
- No pressure loss due to the adoption of full bore in all models
- Adopts a rack & pinion-type actuator appropriate for stable output torque and high-speed movement
- Tightly tied between actuator and valve (direct coupling type)
- Easy piping
- Highly precise die-casting
- A device to prevent static electricity attached

How to Order



1 Series (Air Operating Ball Valve)

2 Actuator Cylinder Size

- 1 : 50mm
- 2 : 63mm
- 3 : 85mm
- 4 : 100mm

3 Actuator Type

- DA : Double Acting
- RS : Spring return

4 Valve Size

- 08 : 1/4"
- 10 : 3/8"
- 15 : 1/2"
- 20 : 3/4"
- 25 : 1"
- 32 : 1 1/4"
- 40 : 1 1/2"
- 50 : 2"
- 60 : 2 1/2"
- 80 : 3"
- 100 : 4"

5 Connection Type

- F : Flange

6 Option

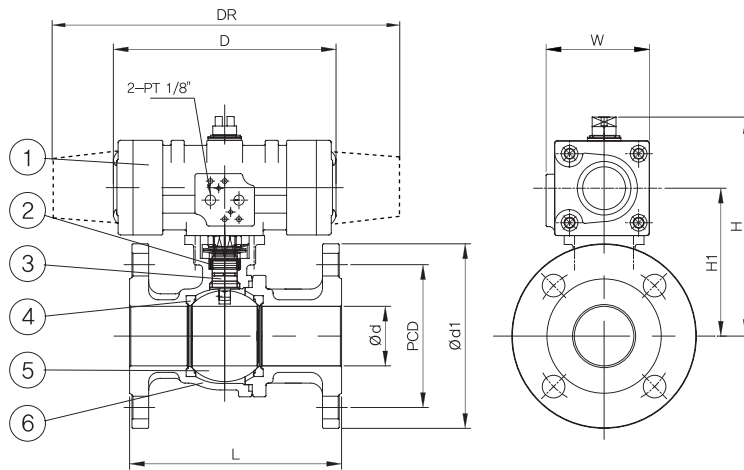
- Blank : Standard
- H : High temperature Valve

Product Specifications

Item	Specifications
Fluid	Water, Air, Oil, Gas, Steam
Fluid Temperature	(no freeze)0~80°C / High temperature replacement seat 0~180°C
Operating press	4~7Kg/cm ²
Option	Solenoid Valve AC110V, AC220V, DC24V
	Speed control
	Limit Switch
	Filter Regulator and the other

TX350-Flange Series

Construction



Parts List

No.	Description	Material
1	ACTUATOR	Die casting
2	PACKING	PTFE
3	STEM	SUS304
4	BALL	SUS304
5	SEAT	PTFE
6	VALVE BODY	SCS13(CF8)

*Please contact when ordering SUS316

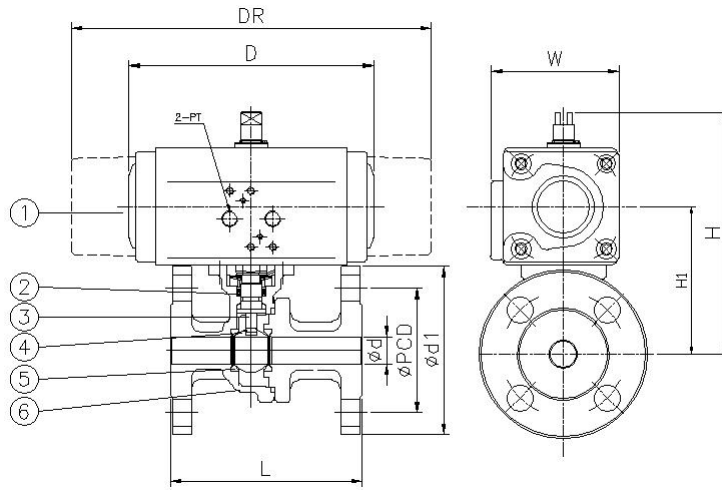
Dimensions (Die casting)

Model		Connection		Max. pressure (MPa)	Dimension (mm)										Weight (Kg)			
					Ød	L	H		H1		D	DR	W				PCD	Ød1
Size (in)	Type	Ød	L	DA	RS	DA	RS	D	DR	DA	RS	PCD	Ød1	DA	RS			
■ TX350 Double Acting & Return Spring Actuator																		
TX350-1DA-15F	TX350-1RS-15F	1/2"	Flange KS10K RF	1.0	15	108	134	81	138	203	72	70	95	3.16	3.52			
TX350-1DA-20F	TX350-1RS-20F	3/4"		1.0	20	117	139	86	138	203	72	75	100	3.47	3.95			
TX350-1DA-25F	TX350-1RS-25F	1"		1.0	25	127	150	97	138	203	72	90	125	4.54	5.13			
TX350-1DA-32F	TX350-2RS-32F	1 1/4"		1.0	32	140	157	171	104	111	138	251	72	90	100	135	5.51	7.67
TX350-2DA-40F	TX350-2RS-40F	1 1/2"		1.0	38	165	176		116	187	251	90	105	140	140	7.84	9.09	
TX350-2DA-50F	TX350-3RS-50F	2"		1.0	50	178	185	210	124	137	187	427	90	106	120	155	9.60	13.68
TX350-3DA-65F	TX350-3RS-65F	2 1/2"		1.0	64	190	232		159	265	427	106	140	175	15.49	17.96		
TX350-3DA-80F	TX350-4RS-80F	3"		1.0	76	203	241	260	169	178	265	455	106	120	150	185	17.63	26.27
TX350-4DA-100F	TX350-4RS-100F	4"		1.0	100	229	299		217	281	455	120	175	210	29.91	33.71		

*Please contact for valve 5"-6".

Double Acting 2-WAY BALL VALVE TX350-Flange Series

Construction



Parts List

No.	Description	Material
1	ACTUATOR	Drawing
2	PACKING	PTFE
3	STEM	SUS304
4	BALL	SUS304
5	SEAT	PTFE
6	VALVE BODY	SCS13(CF8)

*Please contact when ordering SUS316.

Dimensions (Drawing)

Model		Connection		Max. pressure (MPa)	Dimension (mm)										Weight (Kg)			
					Ød	L	H		H1		D	DR	W				PCD	Ød1
Size (in)	Type	DA	RS	DA			RS	DA	RS									
■ TX350 Double Acting & Return Spring Actuator																		
TX350-1DA-15F	TX350-1RS-15F	1/2"	Flange KS10K RF	1.0	15	108	134	81	138	203	72	70	95	3.16	3.52			
TX350-1DA-20F	TX350-1RS-20F	3/4"		1.0	20	117	139	86	138	203	72	75	100	3.47	3.95			
TX350-1DA-25F	TX350-1RS-25F	1"		1.0	25	127	150	97	138	203	72	90	125	4.54	5.13			
TX350-1DA-32F	TX350-2RS-32F	1 1/4"		1.0	32	140	157	171	104	111	138	251	72	86.7	100	135	5.51	7.67
TX350-2DA-40F	TX350-2RS-40F	1 1/2"		1.0	38	165	176	116	187	251	86.7	105	140	140	7.84	9.09		
TX350-2DA-50F	TX350-3RS-50F	2"		1.0	50	178	185	210	124	137	187	427	86.7	106	120	155	9.60	13.68
TX350-3DA-65F	TX350-3RS-65F	2 1/2"		1.0	64	190	232	159	265	427	106	140	175	15.49	17.96			
TX350-3DA-80F	TX350-4RS-80F	3"		1.0	76	203	241	260	169	178	265	455	106	120	150	185	17.63	26.27
TX350-4DA-100F	TX350-4RS-100F	4"		1.0	100	229	299	217	281	455	120	175	210	29.91	33.71			

*Please contact for valve 5"~6".

Double Acting 2-WAY BALL VALVE

TX350-Flange series

(V-2FD 20K)

Air Operating 2-WAY Ball Valve(Full Bore) 20Kgf/cm²



- No pressure loss due to the adoption of full bore in all models
- Adopts a rack & pinion-type actuator appropriate for stable output torque and high-speed movement
- Tightly tied between actuator and valve (direct coupling type)
- Easy piping
- Highly precise diecasting
- A device to prevent static electricity attached

How to Order

TX350 - 1 - DA - 15 - F - 20K - []

1 2 3 4 5 6 7

1 Series(Air Operating Ball Valve Full Bore)
 2 Actuator Cylinder Size
 3 Actuator Type

4 Valve Size
 5 Connection Type

6 Pressure in use
 7 Option

1 : 50mm
 2 : 63mm
 3 : 85mm
 4 : 100mm

DA : Double Acting
 RS : Spring return

15 : 1/2 "
 20 : 3/4 "
 25 : 1 "
 32 : 1 1/4 "
 40 : 1 1/2 "
 50 : 2 "
 65 : 2 1/2 "
 80 : 3 "
 100 : 4 "

F : Screw

20K : 20kgf/cm²

Blank : Standard
 H : High temperature Valve

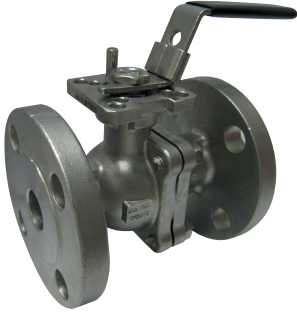
Product Specifications

Item	Specifications
Fluid	Water, Air, Oil, Gas, Steam
Fluid Temperature	(no freeze)0~80℃ / High temperature Replacement seat(0~230℃)
Operating press.	4~7Kg/cm ²
Option	Solenoid Valve AC110V, AC220V, DC24V
	Speed control
	Limit Switch
	Filter Regulator the other

V-2FD10K Flange Series

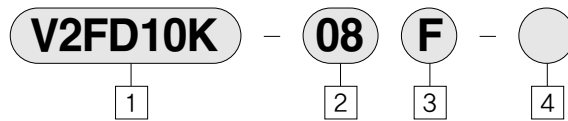
MANUAL VALVE

2-WAY BALL VALVE-10Kgf/cm²



- No pressure loss due to the adoption of full bore in all models
- Highly precise die-casting
- Direct mounting type
- A device to prevent static electricity attached

How to Order



1 Series (V2FD10K series)

2 Valve Size

15 : 1/2"
 20 : 3/4"
 25 : 1"
 32 : 1 1/4"
 40 : 1 1/2"
 50 : 2"
 65 : 2 1/2"
 80 : 3"
 100 : 4"
 125 : 5"

3 Connection Type

F : Flange

4 Option

Blank : Standard

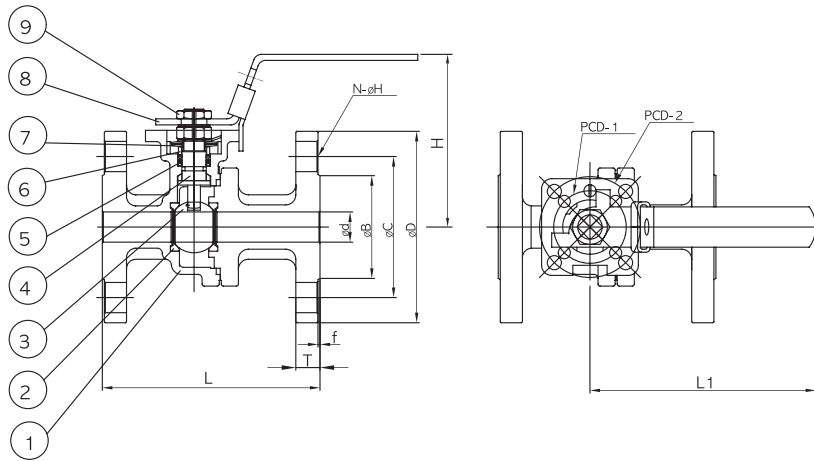
H : High temperature Valve

Product Specifications

Item	Specifications
Fluid	Water, Air, Oil, Gas, Steam
Fluid Temperature	(no freeze) 0~80°C / High temperature replacement seat 0~180°C
Operating press	4~7Kg/cm ²

MANUAL VALVE V-2FD10K Flange Series

Construction



Parts List

No.	Description	Material
1	VALVE BODY	SCS13/SCS14(CF8/CF8M)
2	SEAT	PTFE/GRAPHITE
3	BALL	SUS304/SUS316
4	STEM	SUS304/SUS316
5	PACKING	PTFE
6	GLAND	SUS304
7	BELLEVILLE WASHER	SUS304
8	HANDLE	SUS304
9	HANDLE NUT	SUS304

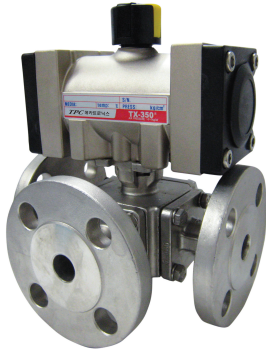
Dimensions

Model	Connection		Max. pressure (MPa)	Dimension(mm)												Weight (Kg)
	Size(in)	Type		Ød	L	L1	H	ØD	ØC	ØB	T	f	n-Øh	PCD1	PCD2	
■ TX350 Double Acting Actuator																
V2FD10K-15F	1/2"	Flange KS10K RF	1.0	15	108	112	86	95	70	51	12	1	4-15	36	50	2.01
V2FD10K-20F	3/4"			20	117	112	91	100	75	56	14	1	4-15	36	50	2.44
V2FD10K-25F	1"			25	127	136	101	125	90	67	14	1	4-19	36	50	3.62
V2FD10K-32F	1 1/4"			32	140	185	110	135	100	76	16	2	4-19	36	50	4.65
V2FD10K-40F	1 1/2"			38	165	198	118	140	105	81	16	2	4-19	50	70	6.07
V2FD10K-50F	2"			50	178	198	126	155	120	96	16	2	4-19	50	70	7.83
V2FD10K-65F	2 1/2"			64	190	265	152	175	140	116	18	2	4-19	70	102	12.11
V2FD10K-80F	3"			76	203	265	161	185	150	126	18	2	8-19	70	102	14.25
V2FD10K-100F	4"			100	229	325	215	210	175	151	18	2	8-19	70	102	21.69
V2FD10K-125F	5"			125	356	450	250	210	182	20	2	8-23	125	46.2		

TX350-3WAY Flange Series(3-LT-B 10K)

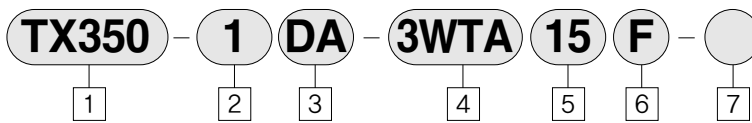
Double Acting

3-WAY BALL VALVE Air Operating 3-WAY Ball Valve(Full Bore) 10Kgf/cm²



- ISO standard
- No pressure loss due to the adoption of full bore in all models
- Adopts a rack & pinion-type actuator appropriate for stable output torque and high-speed movement
- Tightly tied between actuator and valve (direct coupling type)
- Easy piping
- A device to prevent static electricity attached
- Easy control and change of fluid

How to Order



1 Series(Air Operating Ball Valve)

2 Actuator Cylinder Size

- 1 : 50mm
- 2 : 63mm
- 3 : 85mm
- 4 : 100mm

3 Actuator Type

DA : Double Acting

4 Valve(Port) Type

- 3WL : 3port "L" Type
- 3WTA : 3port "T" Type
- 3WTB : 3port "L" Type
- 3WTC : 3port "L" Type
- 3WTD : 3port "L" Type

5 Valve Size

- 15 : 1/2" 50 : 2"
- 20 : 3/4" 65 : 2 1/2"
- 25 : 1" 80 : 3"
- 32 : 1 1/4"
- 40 : 1 1/2"

6 Connection Type

F : Flange

7 Option

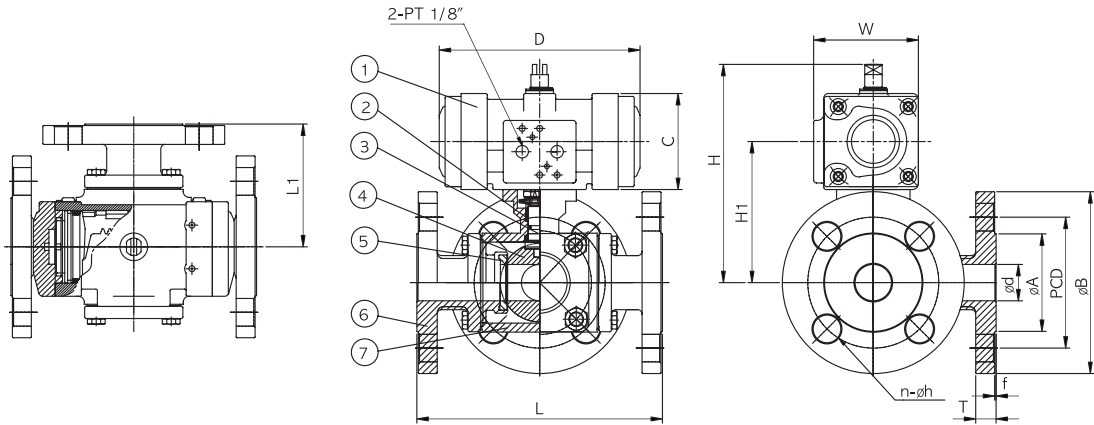
Blank : Standard
H : High temperature Valve

Product Specifications

Item	Specifications
Fluid	Water, Air, Oil, Gas, Steam
Fluid Temperature	(no freeze)0~80°C / High temperature Replacement seat(0~180°C)
Operating press	4~7Kg/cm ²
Option	Solenoid Valve AC110V, AC220V, DC24V
	Speed control
	Limit Switch
	Filter Regulator and the other

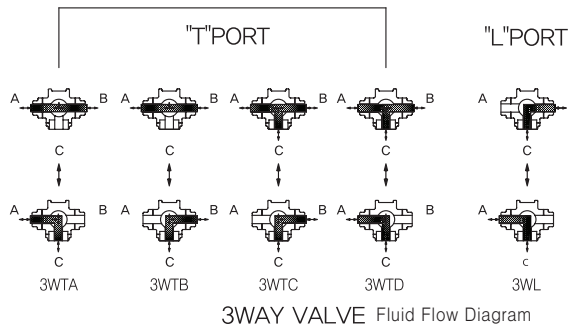
Double Acting TX350-3WAY Flange Series

Construction



Parts List

No.	Description	Material
1	ACTUATOR	Die casting
2	STEM PACKING	PTFE
3	STEM	SUS304/SUS316
4	BALL	SUS304/SUS316
5	SEAT	RTFE/CARBON
6	END CAP	SCS13(CF8)/SCS14(CF8M)
7	VALVE BODY	SCS13(CF8)/SCS14(CF8M)



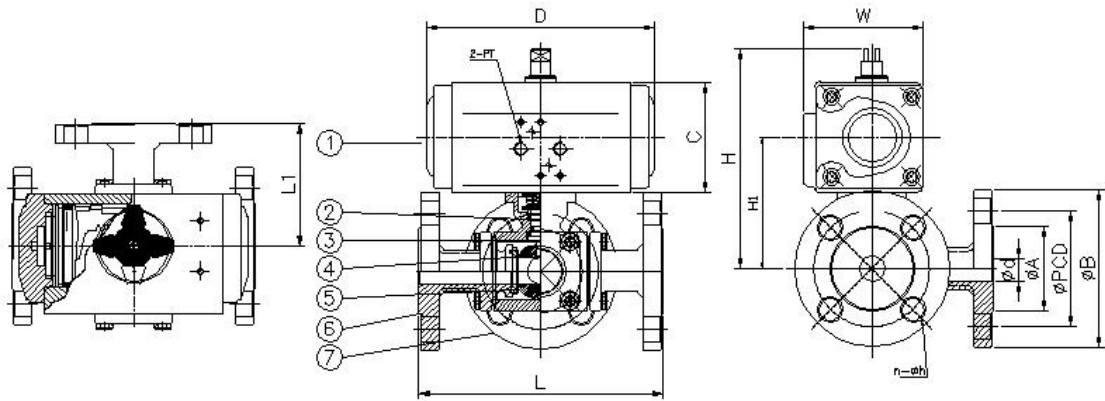
Dimensions (Die casting)

Model	Connection		Max. pressure (MPa)	Dimension(mm)														Weight (Kg)
	Size(in)	Type		Ød	L	L1	H	H1	ØA	ØB	C	D	W	PCD	n-Øh	T	f	
■ TX350 Double Acting Actuator																		
TX350-1DA-3W□15F	1/2"	Flange KS10K RF	1.0	15	147.4	74.5	134	81	51	95	66	138	72	70	4-15	12	1	3.17
TX350-1DA-3W□20F	3/4"			20	155.8	78.2	144	91	56	100	66	138	72	75	4-15	14	1	4.42
TX350-2DA-3W□25F	1"			25	168.8	84.4	164	104	67	125	79.5	187	90	90	4-19	14	1	6.83
TX350-2DA-3W□32F	1 1/4"			32	197.9	99.5	179	119	76	135	79.5	187	90	100	4-19	16	2	9.45
TX350-3DA-3W□40F	1 1/2"			40	221.4	111	214	141	81	140	105	265	106	105	4-19	16	2	12.85
TX350-4DA-3W□50F	2"			50	244.6	122	250	168	96	155	124	281	120	120	4-19	16	2	19.06
TX350-4DA-3W□65F	2 1/2"	64	270	135	261	179	116	175	124	281	120	140	4-19	18	2	23.20		

*Please contact for 80F.

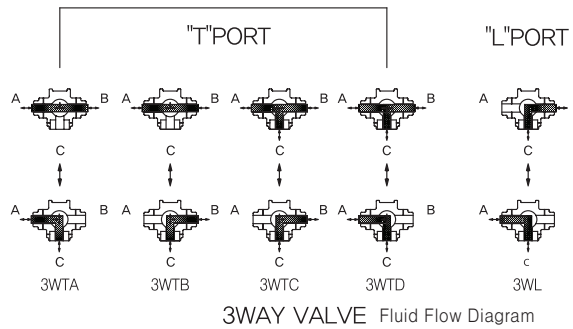
TX350-3WAY Flange Series

Construction



Parts List

No.	Description	Material
1	ACTUATOR	Drawing
2	STEM PACKING	PTFE
3	STEM	SUS304/SUS316
4	BALL	SUS304/SUS316
5	SEAT	RTFE/CARBON
6	END CAP	SCS13(CF8)/SCS14(CF8M)
7	VALVE BODY	SCS13(CF8)/SCS14(CF8M)



Dimensions (Drawing)

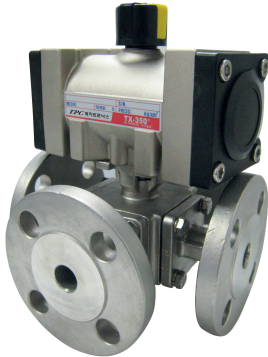
Model	Connection		Max. pressure (MPa)	Dimension(mm)														Weight (Kg)
	Size(in)	Type		Ød	L	L1	H	H1	ØA	ØB	C	D	W	PCD	n-Øh	T	f	
■ TX350 Double Acting Actuator																		
TX350-1DA-3W□15F	1/2"	Flange KS10K RF	1.0	15	147.4	74.5	134	81	51	95	66	138	72	70	4-15	12	1	3.17
TX350-1DA-3W□20F	3/4"			20	155.8	78.2	144	91	56	100	66	138	72	75	4-15	14	1	4.42
TX350-2DA-3W□25F	1"			25	168.8	84.4	164	104	67	125	79.5	187	86.7	90	4-19	14	1	6.83
TX350-2DA-3W□32F	1 1/4"			32	197.9	99.5	179	119	76	135	79.5	187	86.7	100	4-19	16	2	9.45
TX350-3DA-3W□40F	1 1/2"			40	221.4	111	214	141	81	140	105	265	106	105	4-19	16	2	12.85
TX350-4DA-3W□50F	2"			50	244.6	122	250	168	96	155	124	281	120	120	4-19	16	2	19.06
TX350-4DA-3W□65F	2 1/2"	64	270	135	261	179	116	175	124	281	120	140	4-19	18	2	23.20		

*Please contact for 80F.

TX350-4WAY Flange Series (4-XB 10K)

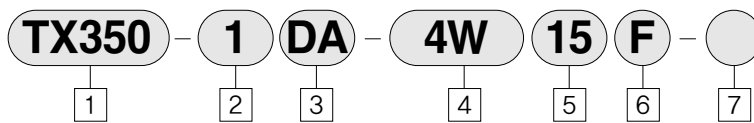
Double Acting

4-WAY BALL VALVE Air Operating 4-WAY Ball Valve(Full Bore) 10Kgf/cm²



- ISO standard
- No pressure loss due to the adoption of full bore in all models
- Adopts a rack & pinion-type actuator appropriate for stable output torque and high-speed movement
- Tightly tied between actuator and valve (direct coupling type)
- Easy installation of pipes
- A device to prevent static electricity attached
- Easy control and change of fluid

How to Order



① Series(Air Operating Ball Valve)

② Actuator Cylinder Size

- 1 : 50mm
- 2 : 63mm

③ Actuator Type

DA : Double Acting

④ Valve(Port) Type

4W : (X ball type)

⑤ Valve Size

- 15 : 1/2 "
- 20 : 3/4 "
- 25 : 1 "
- 32 : 1 1/4 "
- 40 : 1 1/2 "
- 50 : 2 "
- 65 : 2 1/2 "
- 80 : 3 "
- 100 : 4 "

※ Please inquire when ordering.

⑥ Connection Type

F : Flange

⑦ Option

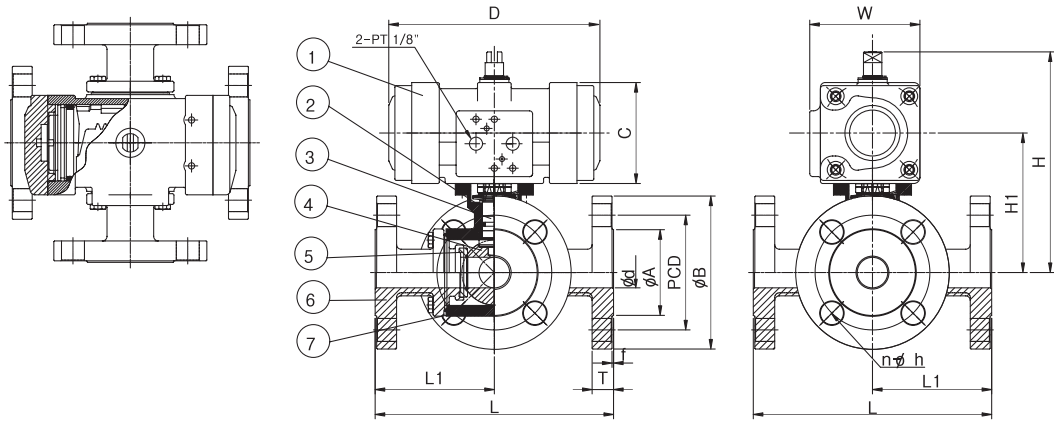
- Blank : Standard
- H : High temperature Valve

Product Specifications

Item	Specifications
Fluid	Water, Air, Oil, Gas, Steam
Fluid Temperature	(no freeze)0~80℃ / High temperature Replacement seat(0~180℃)
Operating press.	4~7Kgf/cm ²
Option	Solenoid Valve AC110V, AC220V, DC24V
	Speed control
	Limit Switch
	Filter Regulator and the other

TX350-4WAY Flange Series

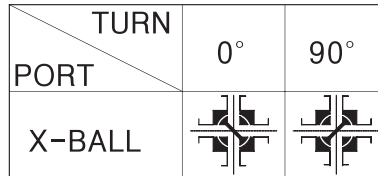
Construction



Parts List

No.	Description	Material
1	Actuator	Die casting
2	STEM PACKING	PTFE
3	STEM	SUS304
4	BALL	SUS304
5	SEAT	PTFE
6	END CAP	SCS13(CF8)
7	VALVE BODY	SCS13(CF8)

4way Flange Ball Valve Fluid Flow Diagram



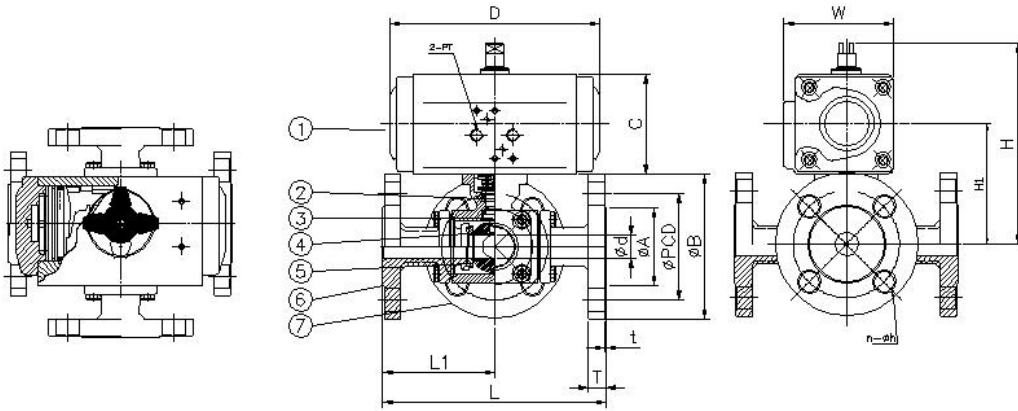
Dimensions (Die casting)

Model	Connection		Max. pressure (MPa)	Dimension(mm)														Weight (Kg)
	Size(in)	Type		Ød	L	L1	H	H1	ØA	ØB	C	D	W	PCD	n-Øh	T	f	
■ TX350 Double Acting Actuator																		
TX350-1DA-4W15F	1/2"	Flange	1.0	15	147.4	74.5	134	81	51	95	66	138	72	70	4-15	12	1	4.77
TX350-1DA-4W20F	3/4"			20	155.8	78.2	144	91	56	100	66	138	72	75	4-15	14	1	6.14
TX350-2DA-4W25F	1"	KS10K		25	168.8	84.4	164	104	67	125	79.5	187	90	90	4-19	14	1	10.02
TX350-2DA-4W32F	1 1/4"	RF		32	197.9	99.5	179	119	76	135	79.5	187	90	100	4-19	16	2	13.1
TX350-2DA-4W40F	1 1/2"			40	221.4	111	189	129	81	140	79.5	187	90	105	4-19	16	2	16.44

*Please contact when ordering higher than 50F.

Double Acting TX350-4WAY Flange Series

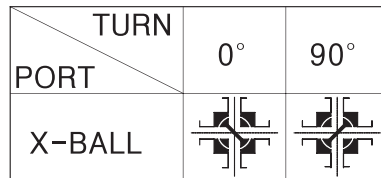
Construction



DUFG@gh

No.	Description	Material
1	Actuator	Drawing
2	STEM PACKING	PTFE
3	STEM	SUS304
4	BALL	SUS304
5	SEAT	PTFE
6	END CAP	SCS13(CF8)
7	VALVE BODY	SCS13(CF8)

4way Flange Ball Valve Fluid Flow Diagram



Dimensions (Drawing)

Model	Connection		Max. pressure (MPa)	Dimension(mm)														Weight (Kg)
	Size(in)	Type		Ød	L	L1	H	H1	ØA	ØB	C	D	W	PCD	n-Øh	T	f	
■ TX350 Double Acting Actuator																		
TX350-1DA-4W15F	1/2"	Flange	1.0	15	147.4	74.5	134	81	51	95	66	138	72	70	4-15	12	1	4.77
TX350-1DA-4W20F	3/4"			20	155.8	78.2	144	91	56	100	66	138	72	75	4-15	14	1	6.14
TX350-2DA-4W25F	1"			25	168.8	84.4	164	104	67	125	79.5	187	86.7	90	4-19	14	1	10.02
TX350-2DA-4W32F	1 1/4"			32	197.9	99.5	179	119	76	135	79.5	187	86.7	100	4-19	16	2	13.1
TX350-2DA-4W40F	1 1/2"			40	221.4	111	189	129	81	140	79.5	187	86.7	105	4-19	16	2	16.44

*Please contact when ordering higher than 50F.